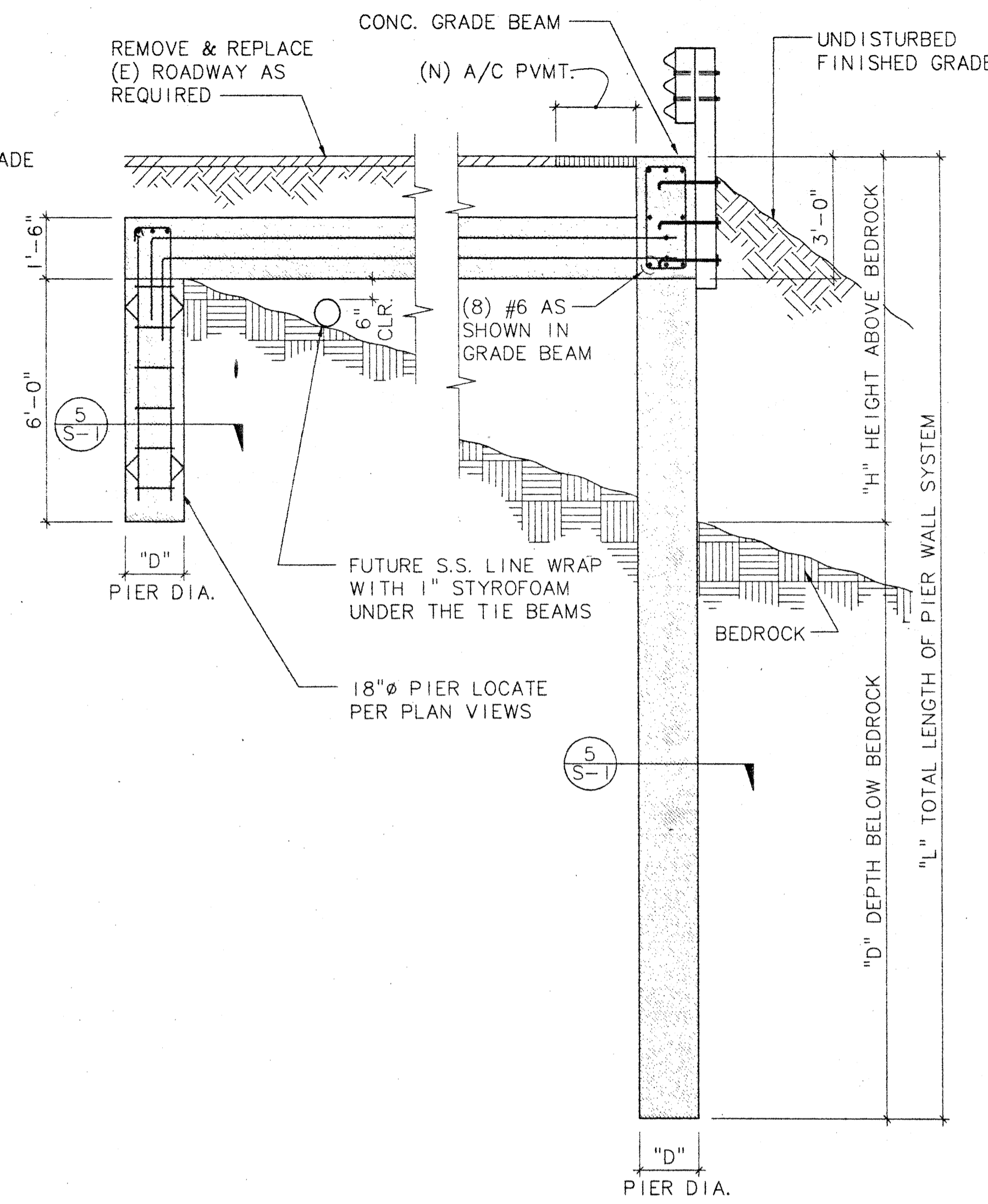


ELEVATION

SECTION

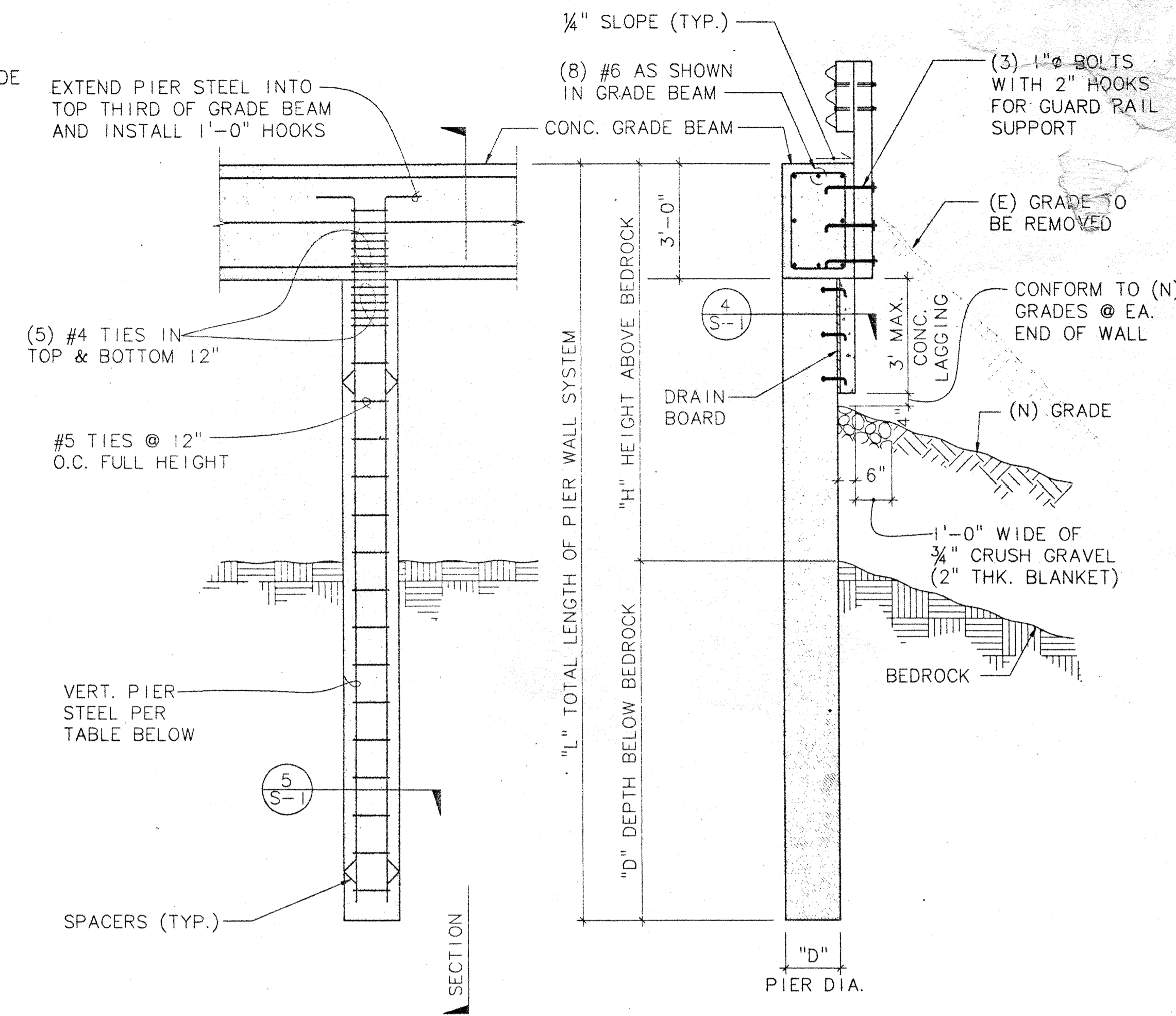
1 TYPE L-1 WALL SECTION
1/8"=1'-0"



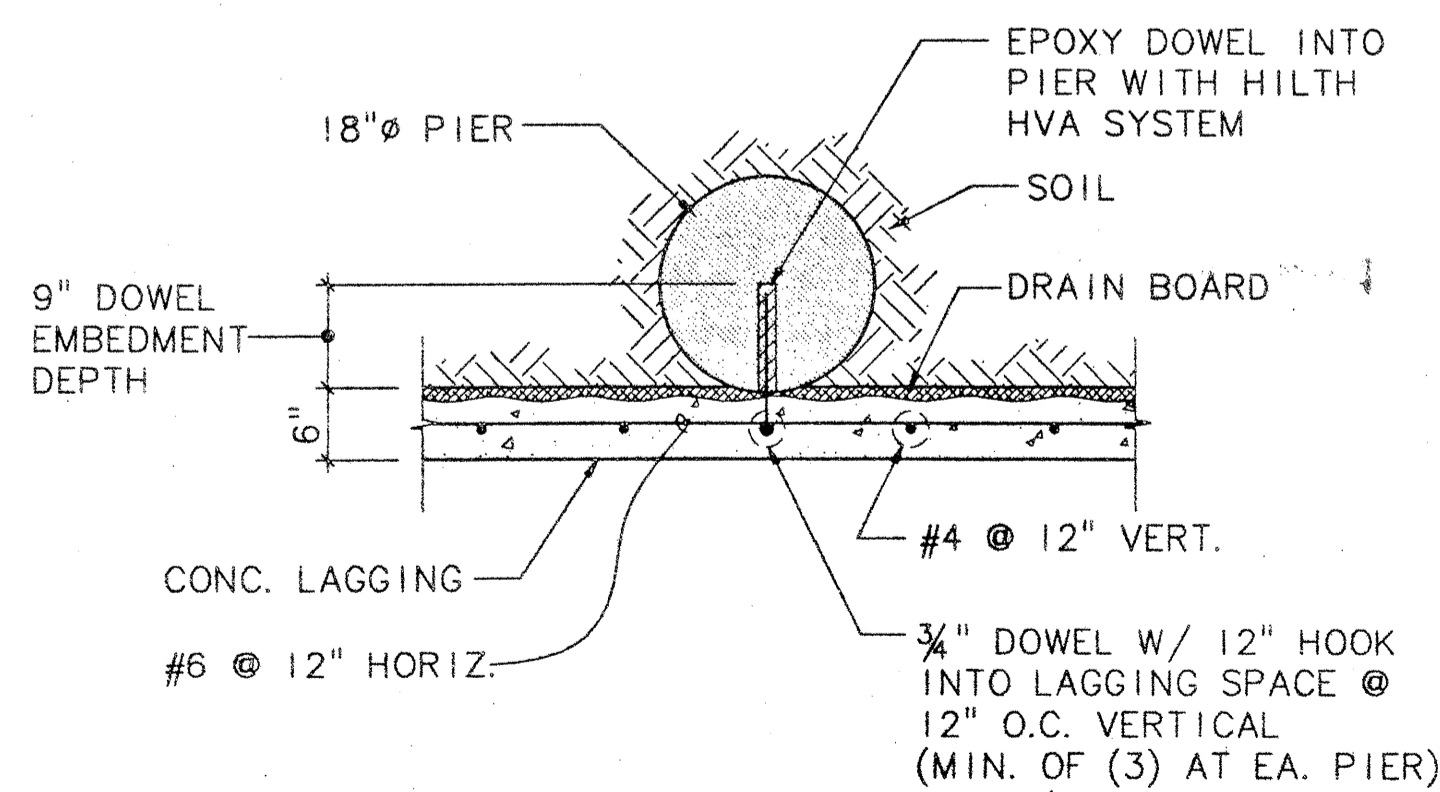
ELEVATION

SECTION

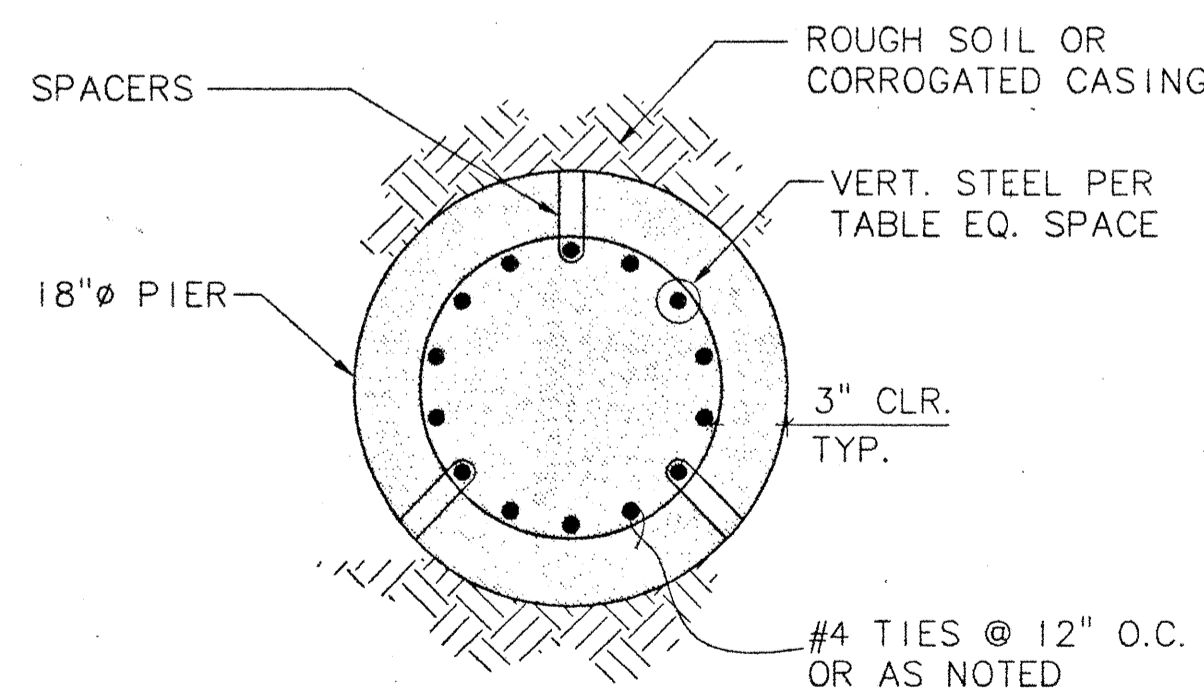
2 TYPE L-2 WALL SECTION
1/8"=1'-0"



3 TYPE M-1 WALL SECTION
1/8"=1'-0"



4 SECTION
3/4"=1'-0"

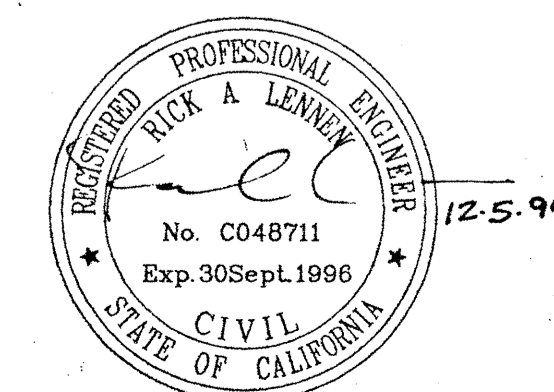


5 SECTION
1/2"=1'-0"

PIER RETAINING WALL TABLE						
WALL TYPE	TOTAL LENGTH "L" (FEET)	PIER HEIGHT "H" (FEET)	PIER DEPTH "D" (FEET)	PIER DIAMETER "d" (INCHES)	PIER SPACING "S" (FEET)	PIER STEEL
L-1	20'-0"	9'-0"	11'-0"	18"φ	3.5'	(14) #8
L-2	24'-0"	9'-0"	15'-0"	18"φ	3.5'	(14) #8
M-1	20'-0"	9'-0"	11'-0"	18"φ	3.5'	(14) #8

WALL NOTES:

- REBAR IS TO BE OF GRADE 60 BILLET STEEL CONFORMING TO ASTM 615 SPECIFICATIONS.
- ALL BENDS SHALL BE COLD FORMED.
- ALL PIERS AND GRADE BEAMS SHALL BE OF 5000PSI CONCRETE AT 28 DAYS WITH A MINIMUM 6 SACK MIX.
- CONCRETE SHALL BE PLACED IN CLEAN CUTS FREE FROM DEBRIS, WATER, AND LOOSE SOIL.
- CONCRETE SPECIAL INSPECTION IS REQUIRED.



VOID IF REVISED

QUESTA ENGINEERING CORP.
1220 BRICK YARD COVE RD.
POINT RICHMOND, CA. 94807

REVISION
DATE
No. DATE

DAVID EVANS AND ASSOCIATES, INC.
STRUCTURAL ENGINEERS, PLANNERS, LANDSCAPE ARCHITECTS
200 WILSON WAY SAN JOSE, CA. 95128 (408)297-8170

RETAINING WALL
DETAILS AND NOTES
LAKE CANYON RETAINING WALL

12/5/94
B.B.
J.R.
AS SHO
OSNJO

Sheet
F7
Of Sheet